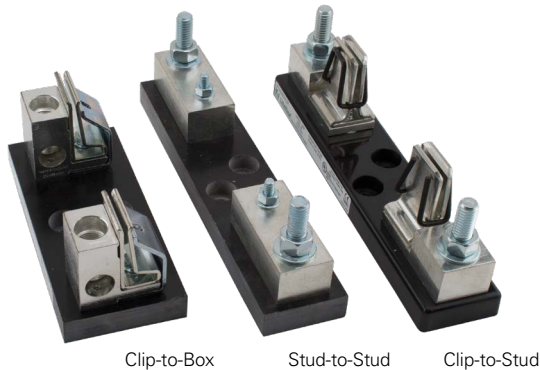


POWR-GARD® Blocks and Holders Datasheet

LFJ1000 SERIES SOLAR FUSE BLOCK

1000 V dc • Clip-to-Box • Stud-to-Stud • Clip-to-Stud



Clip-to-Box Stud-to-Stud Clip-to-Stud

Description

The LFJ1000 series fuse block is specifically designed for the Littelfuse SPFJ 1000 V Solar Fuse. It meets UL electrical requirements, is available in multiple amperages, and comes in a variety of fuse mounting and termination configurations; fuse clip to box lug, fuse stud to wire stud and fuse clip to wire stud.

Features/Benefits

- Narrow width increases space savings
- Range of amperages to match all SPFJ fuse options
- Box Lug termination style accommodates a wide range of cable sizes
- Stud-mounted option increases convenience
- Approval for use with copper or aluminum lugs allowing for design flexibility

Ordering Information

(Clip-to-Box Lug 1000 V)

AMPERAGE	ORDERING NUMBER	WITHSTAND RATING	WIRE RANGE STANDARD (METRIC)	WIRE TYPE		RECOMMENDED TORQUE	UL LISTED
200	LFJ102001C	20 kA	250 kcmil - #6 (127mm ² - 16mm ²)	Cu/Al	Solid/ Stranded	275 in-lb (31.1 N-m)	–
400	LFJ104001C	10 kA	350 kcmil - 1/0 (177mm ² - 55mm ²)			275 in-lb (31.1 N-m)	–
450	LFJ104501C	20 kA	500 kcmil - #4 (253mm ² - 25mm ²)			375 in-lb (42.4 N-m)	x

(Stud-to-Stud 1000 V)

AMPERAGE	ORDERING NUMBER	WITHSTAND RATING	RECOMMENDED TORQUE		MAX. BUSBAR THICKNESS	RECOMMENDED BASE TORQUE		UL LISTED
			FUSE	TERMINAL		BOLT SIZE	TORQUE	
200	LFJ102001STST	20 kA	65 in-lb (7.3 N-m)	200 in-lb (22.6 N-m)	.774" (19.66 mm)	1/4" 5/16"	30-40 in-lb	x
400	LFJ104001STST	10 kA	170 in-lb (19.2 N-m)	200 in-lb (22.6 N-m)	.555" (14.10 mm)		40-50 in-lb	x
450	LFJ104501STST	20 kA	300 in-lb (33.9 N-m)	300 in-lb (33.9 N-m)	.570" (14.18 mm)		x	

(Clip-to-Stud 1000 V)

AMPERAGE	ORDERING NUMBER	WITHSTAND RATING	RECOMMENDED TORQUE	MAX. BUSBAR THICKNESS	RECOMMENDED BASE TORQUE	UL LISTED	
			TERMINAL				
200	LFJ102001CST	20 kA	200 in-lb (22.6 N-m)	.774" (19.66 mm)	1/4" 5/16"	x	
400	LFJ104001CST	10 kA	200 in-lb (22.6 N-m)	.555" (14.10 mm)		30-40 in-lb	x
450	LFJ104501CST	20 kA	300 in-lb (33.9 N-m)	.570" (14.18 mm)		40-50 in-lb	x

Specifications

Voltage Ratings	1000 V dc
Ampere Ratings	200, 400, 450 A
Materials:	
Base	Thermoplastic
Fuse Clip	Tin plated copper alloy
Box Lug	Aluminum
Fuse Studs	Zinc plated steel
Connector Studs	Zinc plated steel
Flammability Rating	UL94 V-0
Termination Type	Box Lug or Stud Mount
Base Temp Rating	130 °C
Approvals	UL 4248-18 Listed File: E345481 Vol. 1 (See Ordering Information tables)
Environmental	RoHS Compliant

Recommended Fuses

SPFJ Solar Series

Web Resources

Sample requests, downloadable CAD drawings, dimensions and other technical information:

Littelfuse.com/LFJ1000

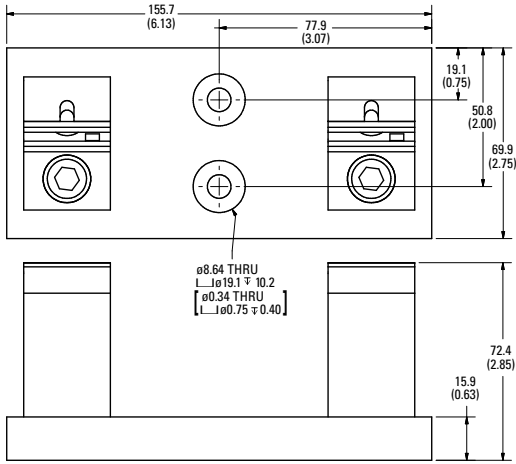
For a comprehensive overview of solar market solutions, visit: Littelfuse.com/solar

POWR-GARD® Blocks and Holders Datasheet

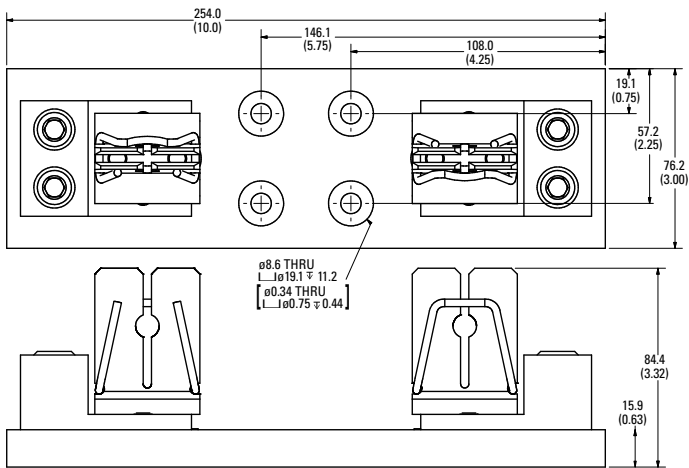
LFJ1000 SERIES SOLAR FUSE BLOCK

Dimensions mm (inches)

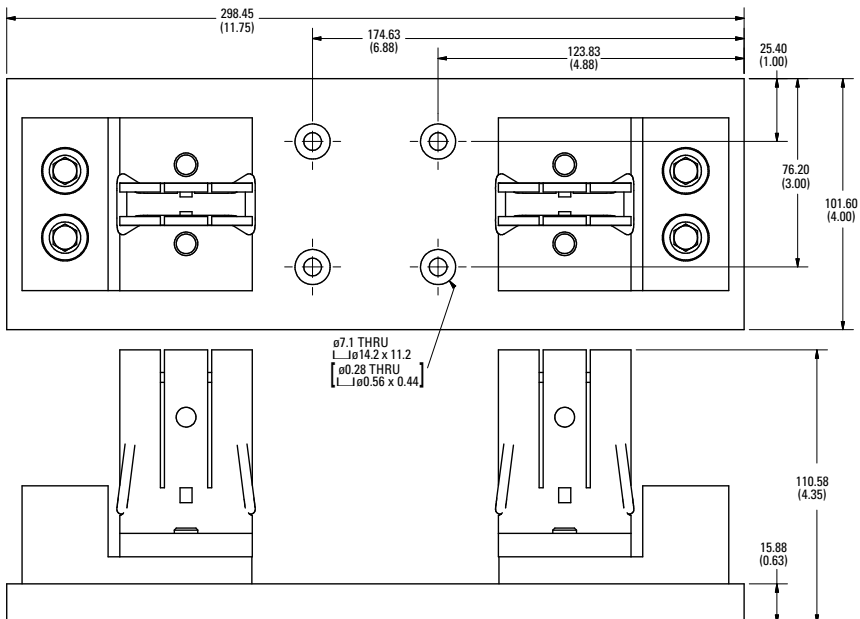
Clip-to-Box 1000 V 200 A



Clip-to-Box 1000 V 400 A



Clip-to-Box 1000 V 450 A

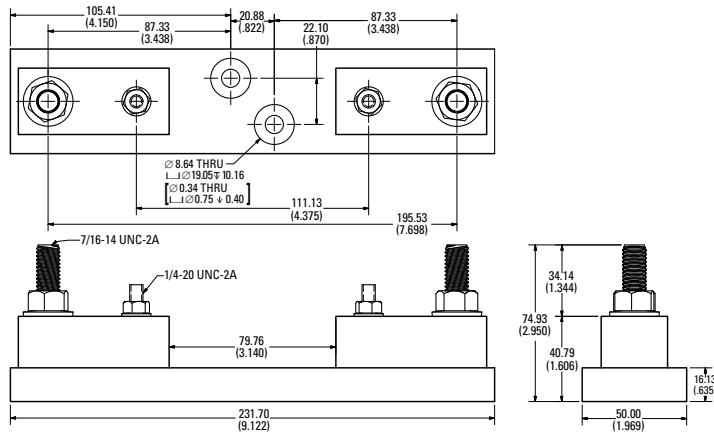


POWR-GARD® Blocks and Holders Datasheet

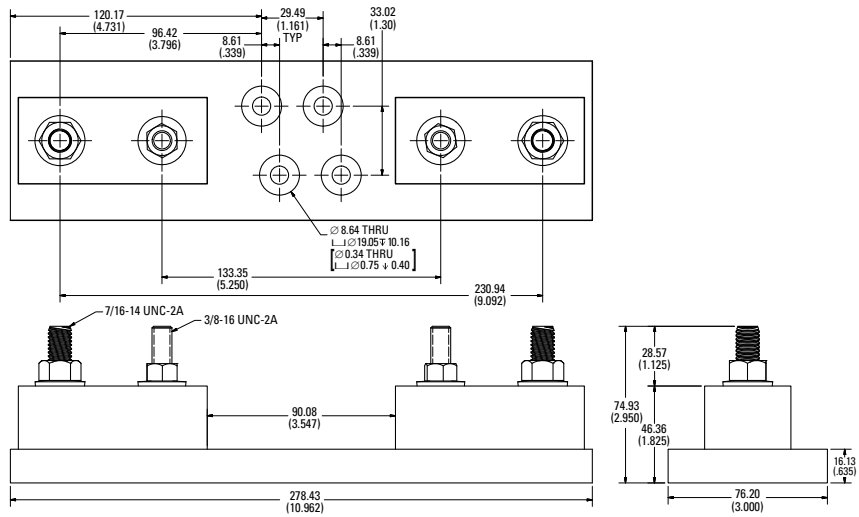
LFJ1000 SERIES SOLAR FUSE BLOCK

Dimensions mm (inches)

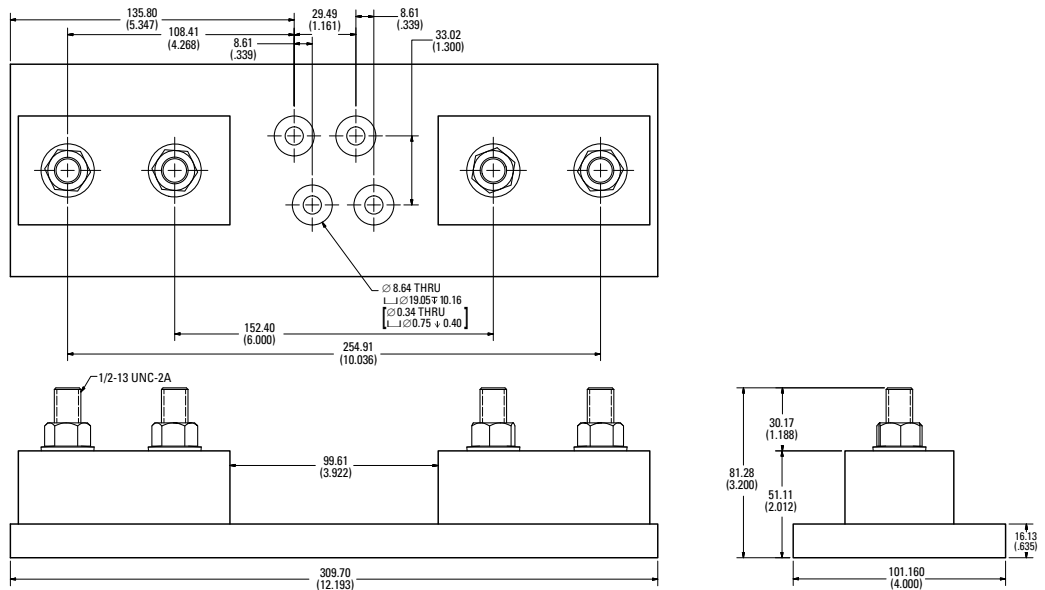
Stud-to-Stud 1000 V 200 A



Stud-to-Stud 1000 V 400 A



Stud-to-Stud 1000 V 450 A

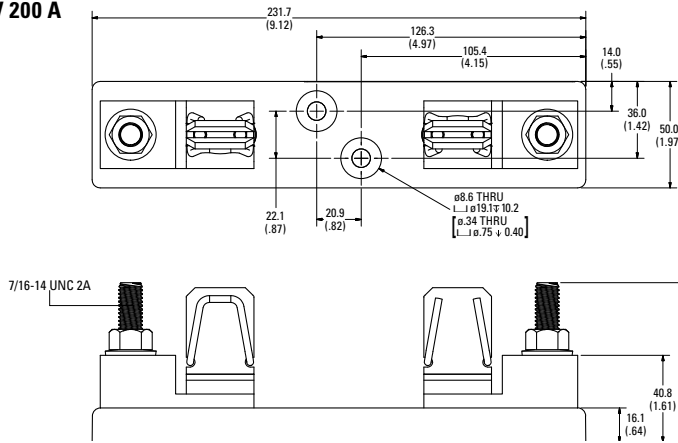


POWR-GARD® Blocks and Holders Datasheet

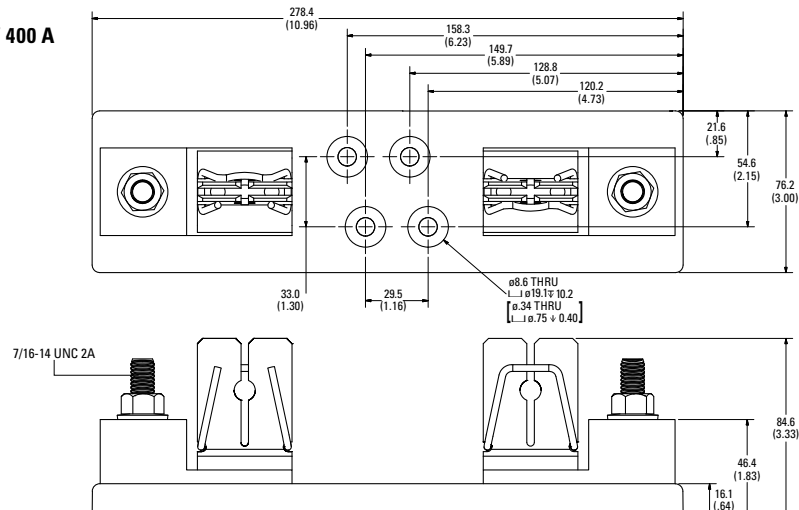
LFJ1000 SERIES SOLAR FUSE BLOCK

Dimensions mm (inches)

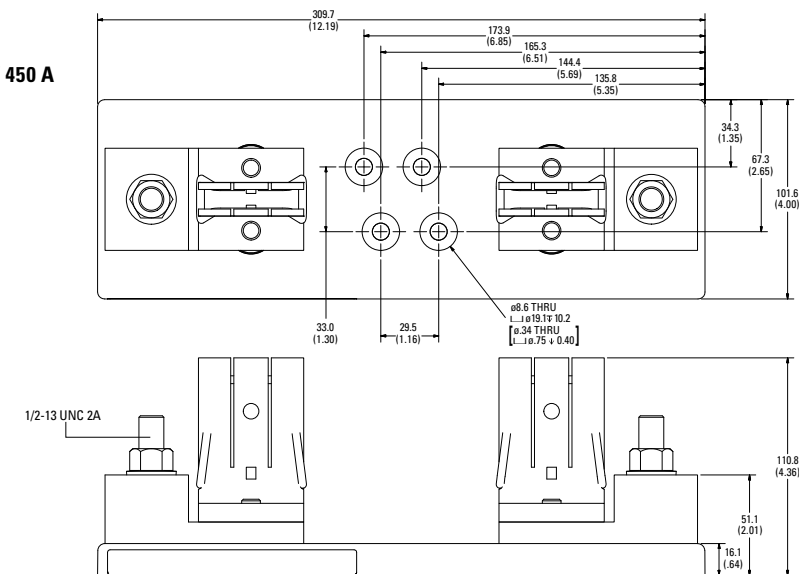
Clip-to-Stud 1000 V 200 A



Clip-to-Stud 1000 V 400 A



Clip-to-Stud 1000 V 450 A



Disclaimer Notice – Information furnished is believed to be accurate and reliable. However, users should independently evaluate the suitability of and test each product selected for their own applications. Littelfuse products are not designed for, and may not be used in, all applications. Read complete Disclaimer Notice at www.littelfuse.com/product-disclaimer.